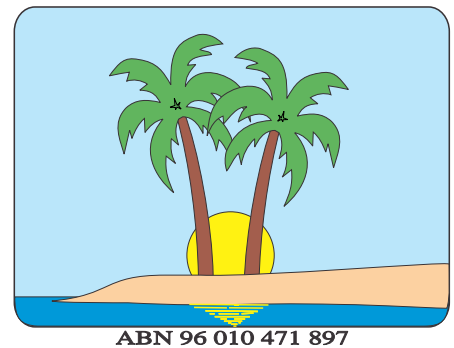


ITIM SYSTEMS

PTY LTD

INNOVATIVE TECHNOLOGY FOR INDUSTRY AND MARINE
UNIT 9, NO. 45 COMMERCIAL DRIVE SHAILER PARK, QLD 4128, AUSTRALIA
ISD + 61 7. PHONE (07) 3356 1276 (07) 3806 4504
<http://www.itim-systems.com/> email: info@itim-systems.com



FA2-V4 TWO ZONE FIRE ALARM CONTROL MODULE

This compact, flush mount fire alarm control module provides two independently monitored fire detection alarm zones. The FA2 Features individual zone alarm isol/reset switches, a common test switch and a dim switch. Outputs include local audible & visual alarms, & fault warnings, remote common alarm relay output & individual zone alarm relay outputs. Designed for use in catamarans with, twin engine rooms or monohull vessels requiring two zones of fire detection and alarms.

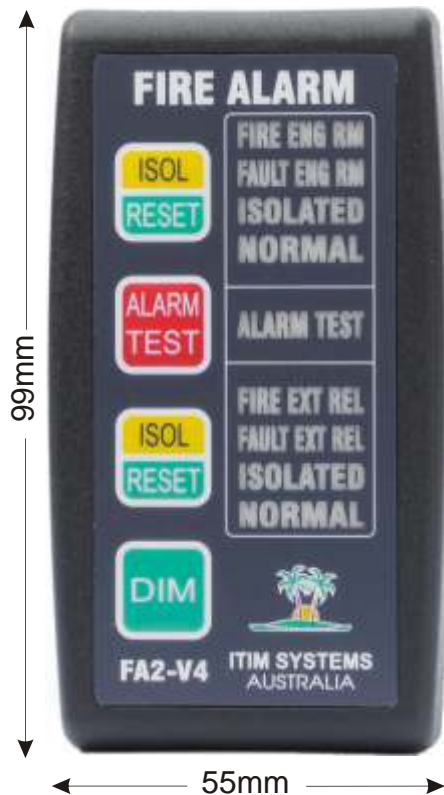
Label options includes- Fire Port & Fire Stbd, Fire Eng Rm & Fire Accom, Fire Eng Rm & Fire Ext Rel, Fire Z 1 & Fire Z 2, Fire Eng Rm & Fire Gen Rm, Fire Smoke & Fire Thermal, etc.

The compact sealed FA2 two zone Fire Alarm Control Module has a dash footprint of 55 x 99 mm, is flush mount, & 130 mm deep. Dash cut out = 43 x 91mm.

The Full System Status Display is back illuminated by multiple LED's to provide instant backlit system status Recognition.

The four sealed touch switches provide reliable control even in dirty, dusty or wet environments.

The red common Test switch starts a testing sequence at the detector inputs to fully test all audible and visual alarms, fault monitoring circuits and remote alarm outputs. When pushed. The alarm test switch simulates fault 1&2, isolated 1&2, normal 1&2, alarm 1, isolate 1, normal 1, alarm 2, isolate 2, normal 2, alarm 1&2, isolate 1&2 normal 1&2 Press alarm test switch again to stop test sequence. In operation, test the system on a regular basis.



The green Dim switch dims the Green Normal status display for night time use. Alarm and Fault status displays are unaffected by the Dim switch.

On detection of a Fire condition, (operation of a fire detector on either detector zone) that zone's Red **FIRE** indication flashes, accompanied by the local audible Fire Alarm warning plus individual zone remote alarm output and common remote alarm output. These alarms latch on until manually reset.

If a Fault condition is detected which could inhibit the fire alarm from operating the amber **FAULT** indication will illuminate for that zone accompanied by a steady tone audible warning. These fault warnings latch on until manually reset.

A typical Fault condition monitored for, would include a break or high resistance joint in either detector circuit, a detector out of circuit, or low battery voltage.

To reset the alarm or fault latches, press the appropriate Isol/Reset switch twice, Once to Isolate the audible alarms & Again to reset the panel to the Green **NORMAL** condition. The system should always be left with the green **NORMAL** Status display illuminated.

MADE WITH PRIDE IN AUSTRALIA

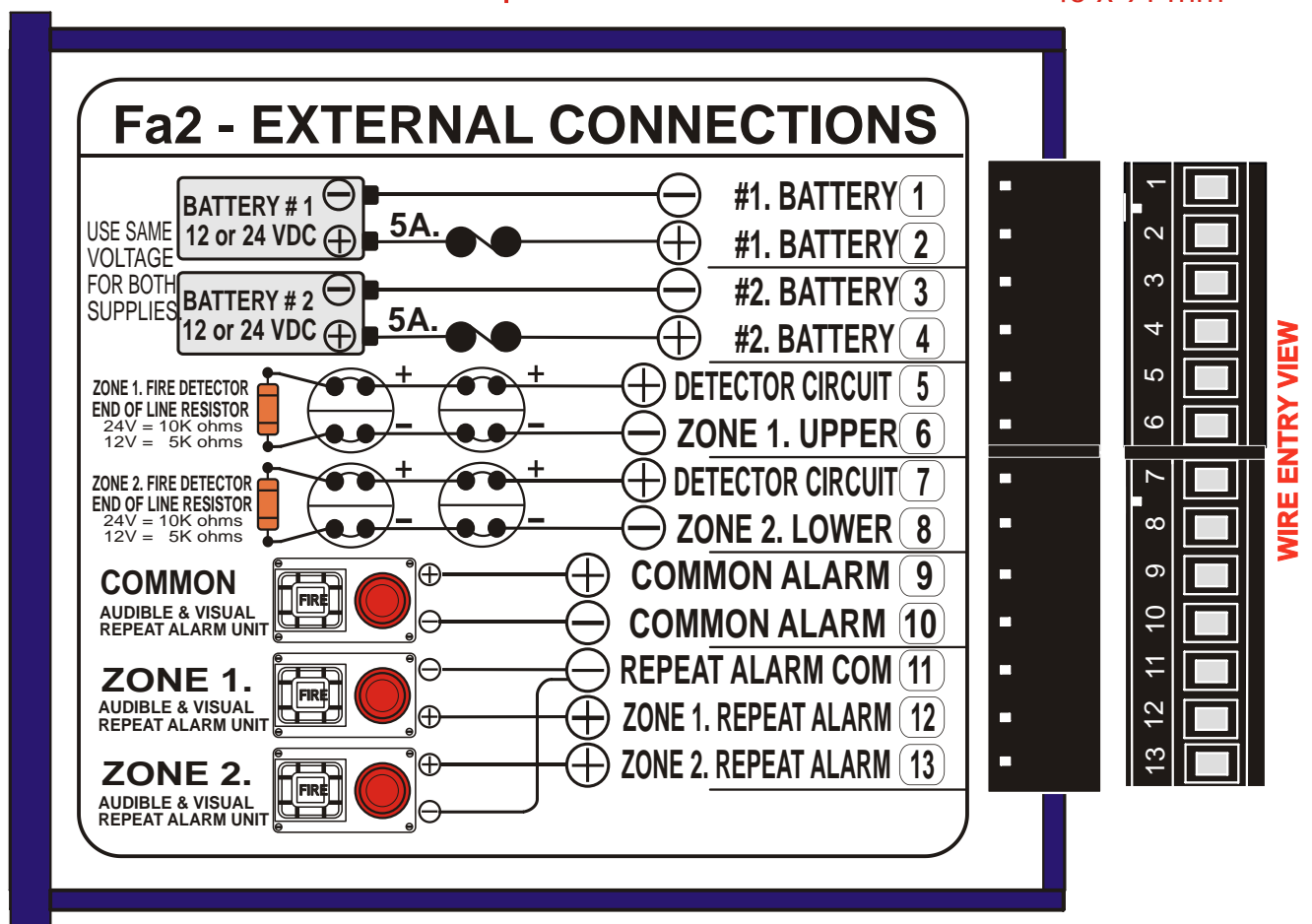
FA2-V4 EXTERNAL CONNECTIONS

On the rear of the FA2 Two Zone Fire Alarm Control Panel, there is a 13 way plug-in terminal, for connection of all external circuits -

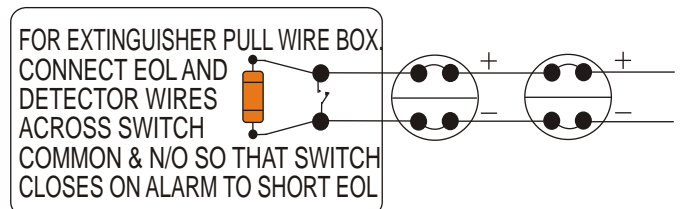
- Two 12 or 24 VDC Power Supplies, terminals 1-ve & 2+ve, 3-ve & 4+ve
- Zone 1 Fire Detector Circuit, terminals 5+ve & 6-ve
- Zone 2 Fire Detector Circuit, terminals 7+ve & 8-ve.
- Common Remote Alarm Output Circuit, terminals 9+ve & 10-ve
- Remote Zone Alarm output, Common Neg -ve terminal 11
- Zone 1 Remote Alarm Output, Switched Pos +ve terminal 12
- Zone 2 Remote Alarm Output, Switched Pos +ve terminal 13

Module depth = 125mm

Dash Cut Out
= 43 x 91 mm



SIDE VIEW



MADE WITH PRIDE IN AUSTRALIA

ITIM SYSTEMS
PTY LTD

AVAILABLE FROM

INNOVATIVE TECHNOLOGY FOR INDUSTRY AND MARINE
UNIT 9/45 Commercial Drive, Shailer Park QLD 4128 AUSTRALIA
ISD + 61 7. PHONE (07) 3356 1276. FAX (07) 3806 4504
<https://itimsystems.com.au/> email info@itim-systems.com